






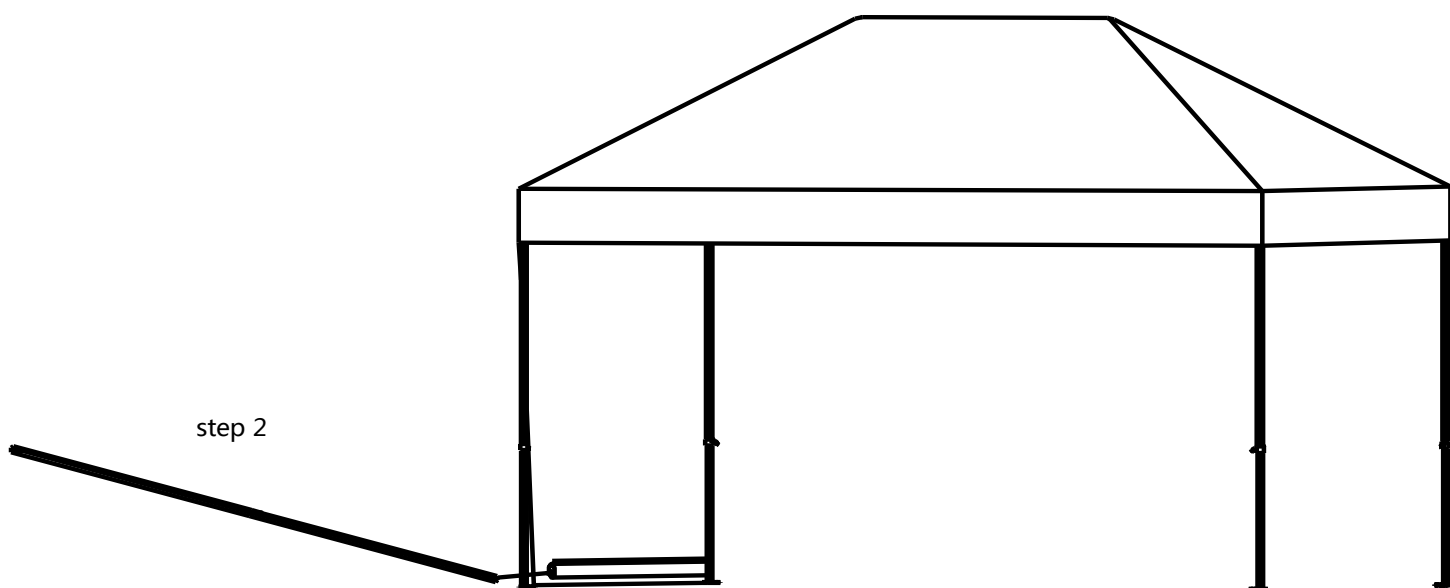
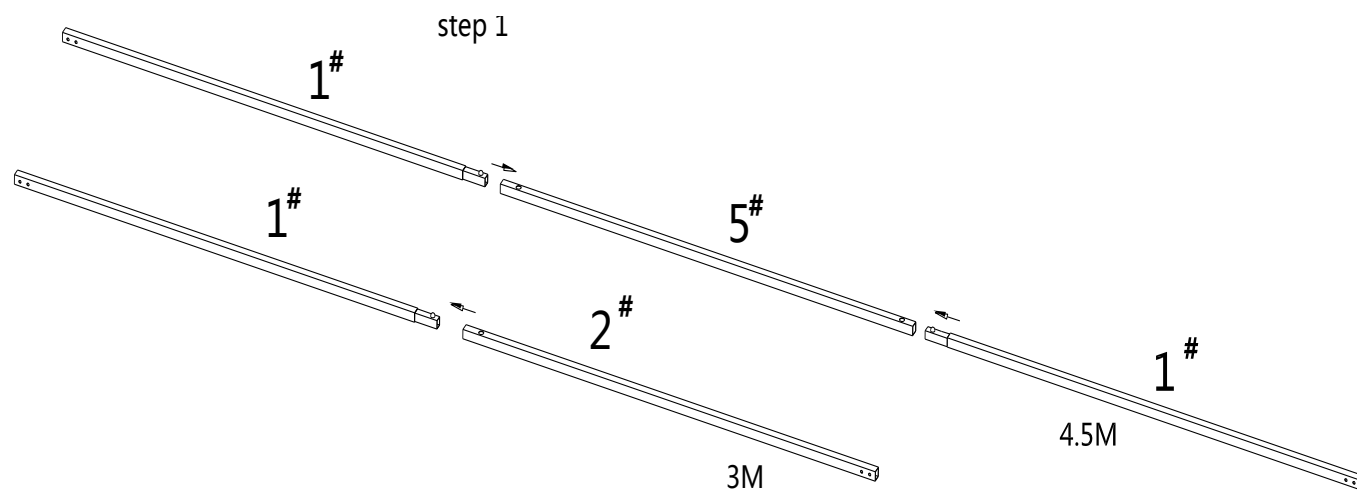
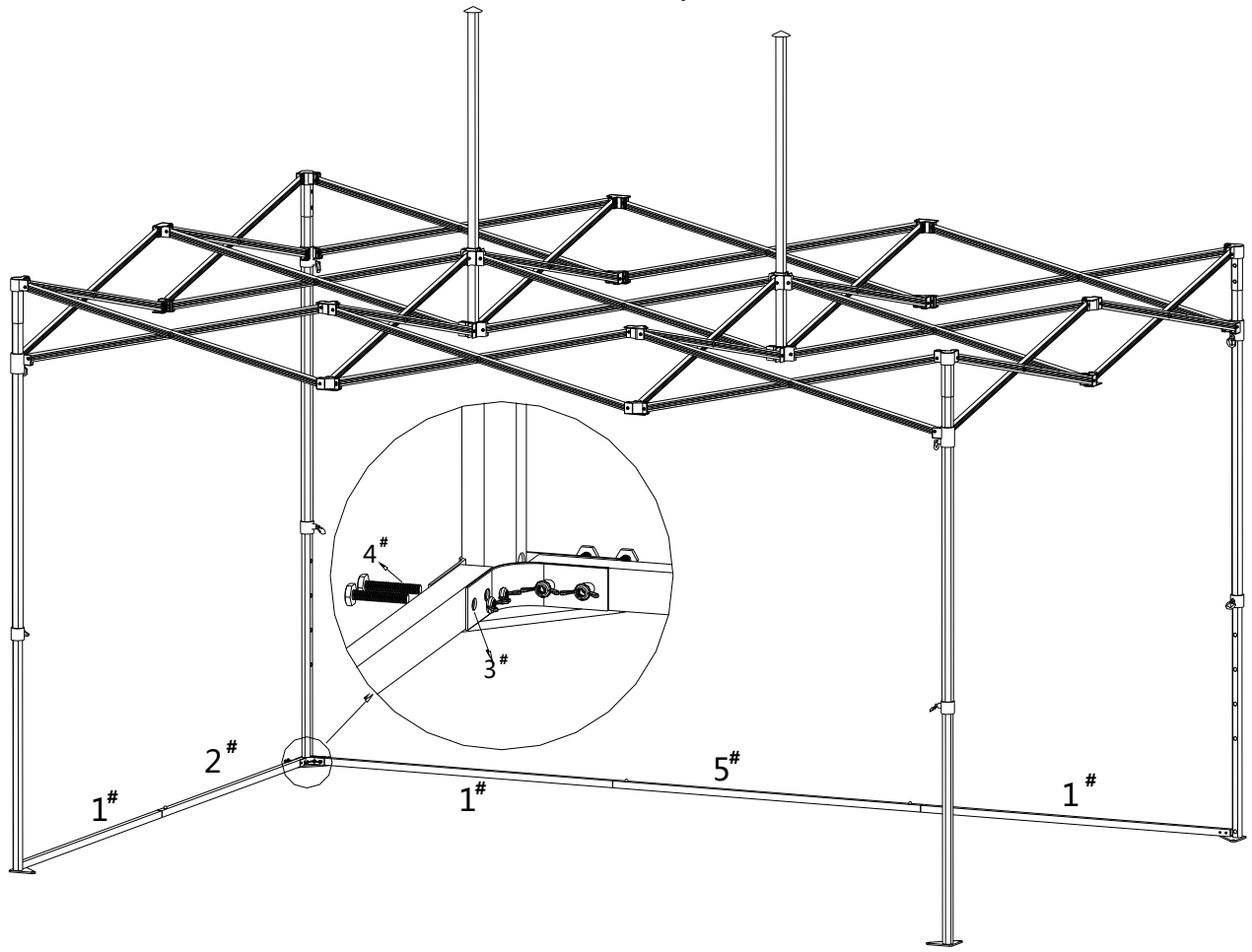


3*4.5m

| NO | Part | | Qty |
|----|--|----|-----|
| 1 |  | 1# | 6 |
| 2 |  | 5# | 2 |
| 3 |  | 2# | 2 |
| 4 |  (Pro 50) | 3# | 4 |
| |  (Pro 40) | | 4 |
| |  (Pro MX) | | 4 |
| 5 |  | 4# | 16 |



step 3



step 4

