



**Structure Assembly
& Care Guide**

**Gala Shade
PRO 50**

Gala Shade Pro 50™

Congratulations on purchasing your new Gala Shade™. Your Gala Shade™ will give you years of service and enjoyment if you follow these instructions carefully and take care of your Gala Shade™ correctly. Please read the instructions before attempting to erect your Gala Shade™ and save them for future reference.

INSURANCE

Your manufacturing guarantee covers manufacturing defects only. Gala Tent will not be responsible for damage to your product caused by adverse weather conditions, incorrect assembly, improper storage or accidental damage. We therefore advise that you seek private insurance to protect yourself against these possibilities. Check the contents of the boxes in advance of using your Gala Shade™ for the first time. We would recommend that you check that you have all the components at least within 14 days of receiving the product. Ensure that you are familiar with the erecting of the Gala Shade™ and that all parts are accounted for. You should familiarise yourself with the structure including any restrictions it may have for your particular use. A Gala Shade™ is a transportable structure, which under most circumstances will provide shelter against the elements. There are however extremes of weather for which allowance should be made.

SUITABILITY

Gala Shade™ is not guaranteed waterproof. We do however endeavour to make them as weatherproof as possible. Where necessary/possible we have welded the seams but on some seams this is not feasible. It is therefore possible that a small amount of leakage may occur in heavy rain. Treating all sewn seams with a seam sealant, which is available from Gala Tent or your local dealer, can prevent this.

Find a level piece of ground on which to erect your Gala Shade™. Ensure that you have enough help to lift the Gala Shade™ without straining yourself or the frame.

Recommend required persons to erect the structure for guidance and safety.

3.0m x 3.0m = 2 persons

3.0m x 4.5m = 2 persons

3.0m x 6.0m = 3/4 persons

IT IS IMPORTANT THAT YOU TAKE CARE IN WINDY WEATHER CONDITIONS AND ENSURE THAT YOU HAVE ENOUGH HELP TO PREVENT STRAIN ON THE FRAME. IT MAY BE NECESSARY TO TIE DOWN YOUR GALA SHADE™ AT ANY STAGE DURING THE ASSEMBLY. WE DO NOT RECOMMEND YOU LEAVE YOUR GALA SHADE ERECTED OVER NIGHT. AS THESE STRUCTURES CAN BE EASILY TAKEN DOWN IN A FEW MINUTES WE RECOMMEND YOU STORE IN A COOL DRY PLACE THEN USE AGAIN THE FOLLOWING DAY. DRY ALL PARTS AT THE EARLIEST OPPORTUNITY DO NOT STORE AWAY WET. YOUR GALA SHADE™ IS NOT COVERED UNDER WARRANTY IF DAMAGE OCCURS DUE TO INCORRECT ERECTION, DISMANTLING, PACKING OR STORAGE.

FIRE PRECAUTIONS - REMEMBER, YOUR GALA SHADE™ CAN BURN. FOLLOW THESE COMMON SENSE RULES:

- When erecting, ensure there is a minimum distance of 6 metres between tents
- Do not place cooking, heating or lighting appliances near the sides or the roof of the Gala Shade™
- Always observe safety instructions for all appliances
- Keep exits clear and unobstructed

Should you damage or lose any parts of your Gala Tent™, spares are available from Gala Tent Ltd direct.

IMPORTANT: Please note that storm, adverse weather and accident damage and damage through incorrect dismantle, erection, packing and storage is not covered by the warranty.

Hints and Tips

When you close down your frame ensure you remove the canopy and store it separately. If you store the canopy on the frame the frame can trap the material and wear holes in it.

When closing the frame pull the pins out on the legs and walk the legs in slightly one by one to ensure the pins do not lock back in position. If the pins are not released correctly this can damage the frame.

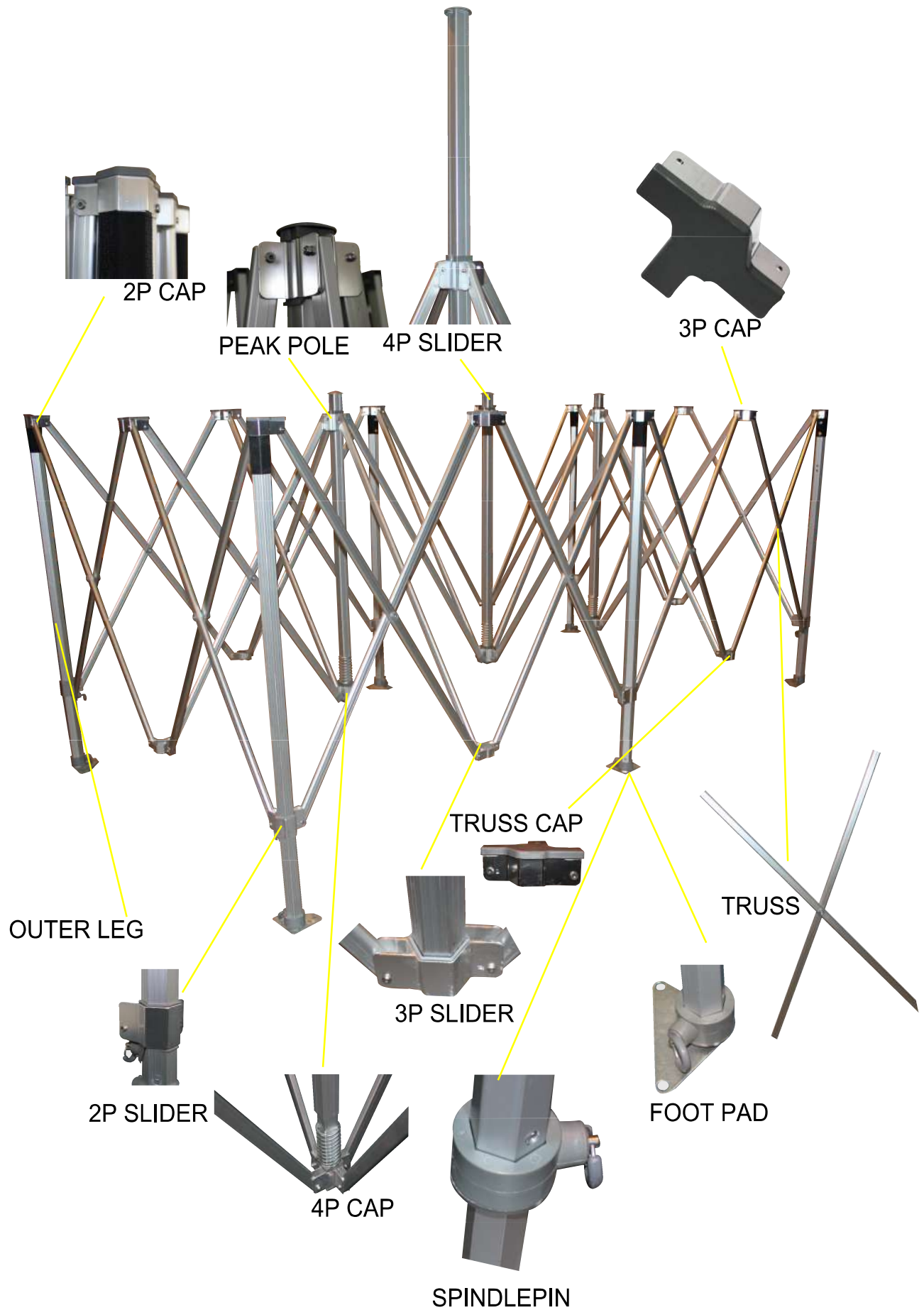
Your frame requires a small amount of maintenance. The truss bolts are to be tightened with an allen key every now and again depending on the use.

When using the wheelie carry case please ensure the bag is been pulled at the correct angle so the wheels are taking the weight of the gazebo.

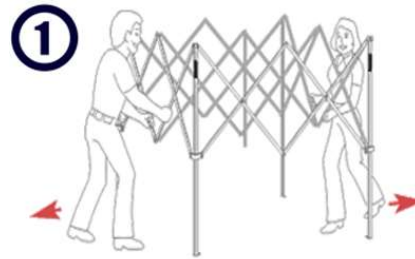
Please use the correct amount of people recommended to open and close your gazebo for your safety and to reduce any possible damage to the frame so it will last you for years to come.

For more solutions and tips please visit our FAQ page on our website

http://galatent.co.uk/marquee_questions.asp

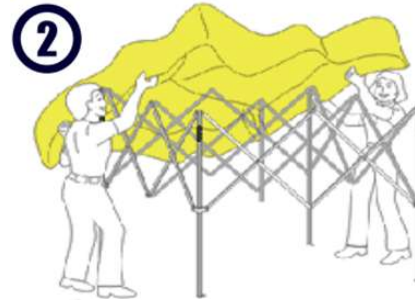


1. Take out the framework from the carry bag
Grasp the lower 'V' at the centre Truss Bar.
Lift and pull the frame half way out.



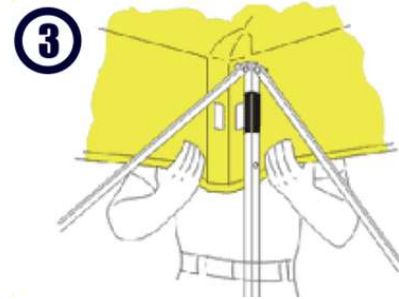
Best with assistance of another person

2. Place canopy top on partially open frame.
Align to each corner.



3. Attach velcro securely at each corner.
Continue to expand frame completely out.

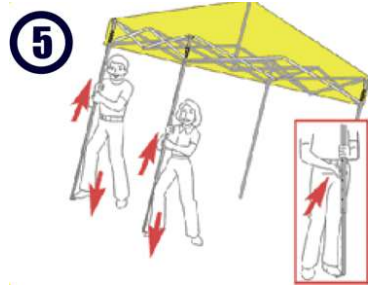
Be careful not to pinch hands as you step
backwards slowly.



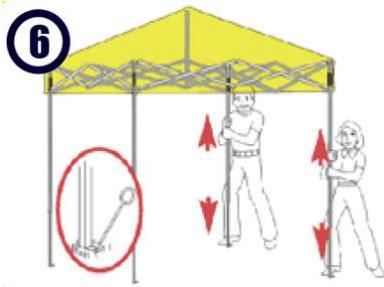
4. Now that the frame is fully expanded,
push the sliding leg brackets upwards until
ring pull pin locks into position on each leg.



5. Lift each leg until each ring pull snaps in to the first hole.



6. For height adjustments, place your foot on each leg footpad, and slowly extend each leg to desired height.



Never leave your canopy unattended in inclement weather. Always ensure the canopy is securely anchored to the ground.

**Step 1.**

Line up corner of the velcro side of the wall with centre of leg pole. Attaching velcro from side wall to canopy.

**Step 2.**

Fasten the Velcro all the way across the top of the canopy.

**Step 3.**

Run hand across the velcro smoothing it out and ensuring there are no creases along the velcro.

**Step 4.**

Attach the side wall to the leg pole using the Velcro strips.

**Step 5.**

Once this has been completed on all the walls you wish to add. You can now zip the corner of the leg closed to ensure security.



Step 6.

This is how your Gala Shade should look after you have attached the walls correctly.



PLEASE NOTE:

The canopy velcro should NOT be stretched to the bottom part of the framework.